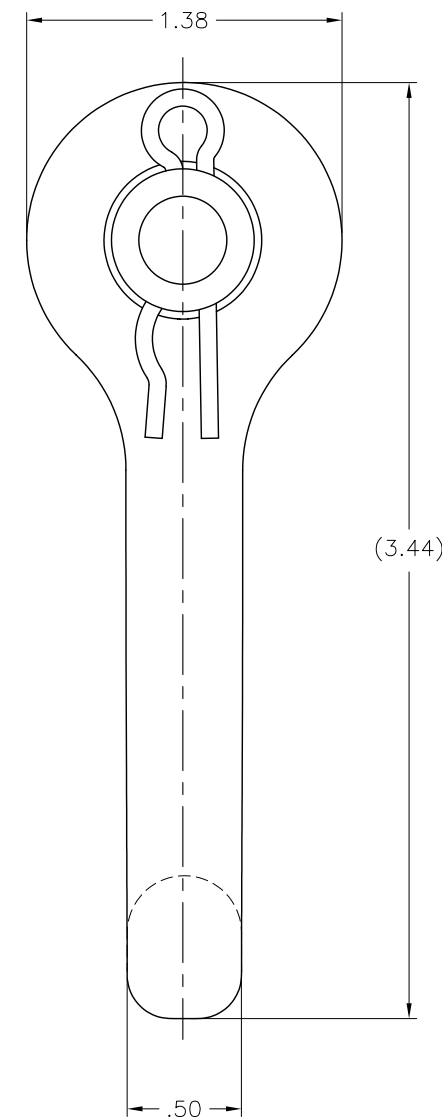
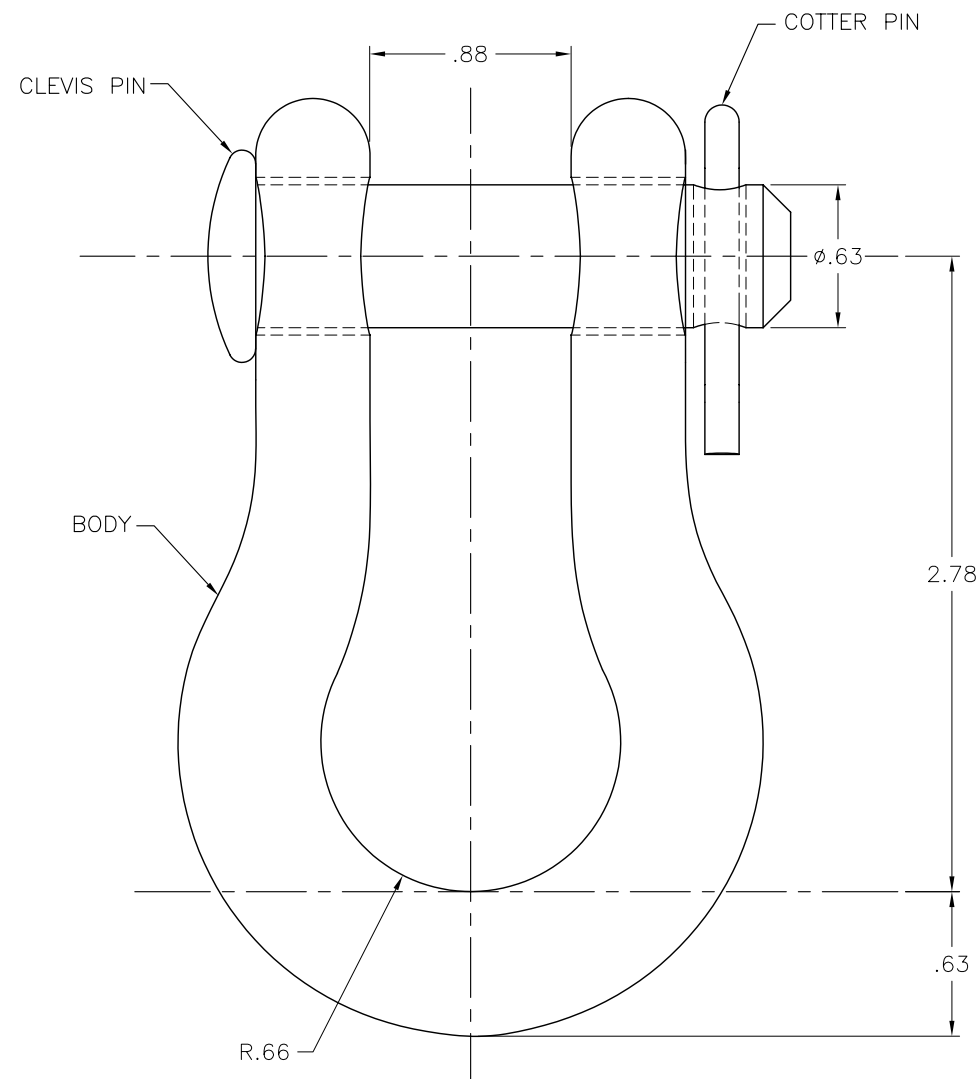


4

3

2

1



NOTES:

1. MATERIAL: BODY-GALV. FORGED STEEL.
CLEVIS PIN -GALV. STEEL.
COTTER PIN - STAINLESS STEEL.
2. HOT DIP GALVANIZED PER ASTM A153.
3. WEIGHT: 0.90 LBS APPROX.
4. DIMENSIONS IN INCHES
5. ULTIMATE STRENGTH: 30,000 LBS.

EC #	DATE	CHG BY	CKD BY	APPD BY
--	--	--	LEB	PTB
DESC OF DWG: DRAWING CREATED IN AUTOCAD				
-- <u>PRELIMINARY ONLY</u>				
REASON (S) FOR CHANGE: --				
DISPOSITION OF MAT'L: --				

THIRD ANGLE PROJECTION

CONFIDENTIAL: THIS DRAWING AND ITS CONTENTS ARE CONFIDENTIAL AND THE EXCLUSIVE PROPERTY OF HUBBELL POWER SYSTEMS. NO PUBLICATION, DISTRIBUTION, OR COPIES MAY BE MADE WITHOUT THE WRITTEN CONSENT OF HUBBELL POWER SYSTEMS. HUBBELL POWER SYSTEMS UNPUBLISHED ALL RIGHTS RESERVED UNDER THE COPYRIGHT LAWS.



TITLE			
ANCHOR SHACKLE 30K LBS ULT. STR.			
CATALOG NUMBER: AS25L			
SIZE	DWG NO.	PART / ASSY NO.	REV
B	CUTSHEET	--	A
SCALE: NS	DRN BY: SV	DATE: 02/06/20	SHEET 1 OF 1

4

3

2

UNCONTROLLED COPY WHEN PRINTED 1